

1. Product description

- Wireless dimmable and CCT adjustable controller for LED strip
- Low voltage input: 12V DC or 24V DC
- No need install control wire and other controllers
- EMC Comply with EN55015 and EN300440
- CE certificated
- 3 years warranty
- Compatible with LEKOLED multifunction remote controllers,86 control panel, scene mode controller and constant illumination sensor

Model: TGCC-NH24-240-B1-10A/ TGCC-NH12-120-B1-10A



2. Functions

- Wireless Dimming and CCT adjusting by RF-2.4G Controllers
- Groups control: 100 groups individually (refer to page 04 for multifunction remote controller)
- Scene mode control (refer to page 04 for scene mode controller)
- Over temperature protection
- No-load protection

3. Application

Tunable CCT LED Bar for residential, commercial lighting



The functions of driver are realized by LEKOLED controllers, please refer to LEKOLED controllers datasheet for more details.

4. Technical Data

For Controller

Model No.	TGCC-NH24-240-B1-10A/TGCC-NH12-120-B1-10A
Rated Input Voltage	24V DC /12V DC
Max input Current	10A
Output Voltage	24V DC /12V DC
Output Current Range	10A
Dimming Range	10%-100%
Ambient Temperature Ta	-20℃...+45℃
Storage Temperature Ts	-20℃...+80℃
Dimension	100x38x25mm

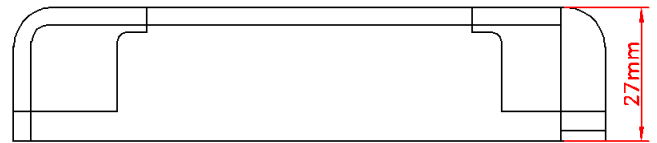
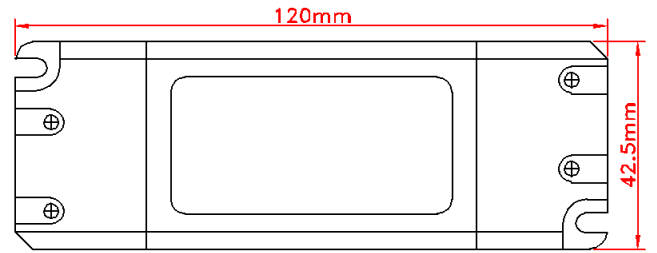
For RF-2.4G

Controllable Distance	30Meters without Obstacle
Protocol	TIGI RF-2.4G
Frequency Range	2402Mhz....2482Mhz
Modulation Type	GFSK
Antenna Type	Integral antenna
Antenna Quantity	1
Antenna Gain	0dBi
Operating Temperature	-20℃...+85℃

5. Standard

LVD	EN61347-2-13
EMI	EN55015
RED	EN300 440
RED	EN301489-1/ EN301489-3

6. Size



7. Packing data

Weight per PCS	55g
Quantity per Carton	126PCS
Weight per Carton	7.5KG Max
Size of Carton	35cm*30cm*22cm

The packing data is for reference, the exact data subject to the packing requirement of customers.

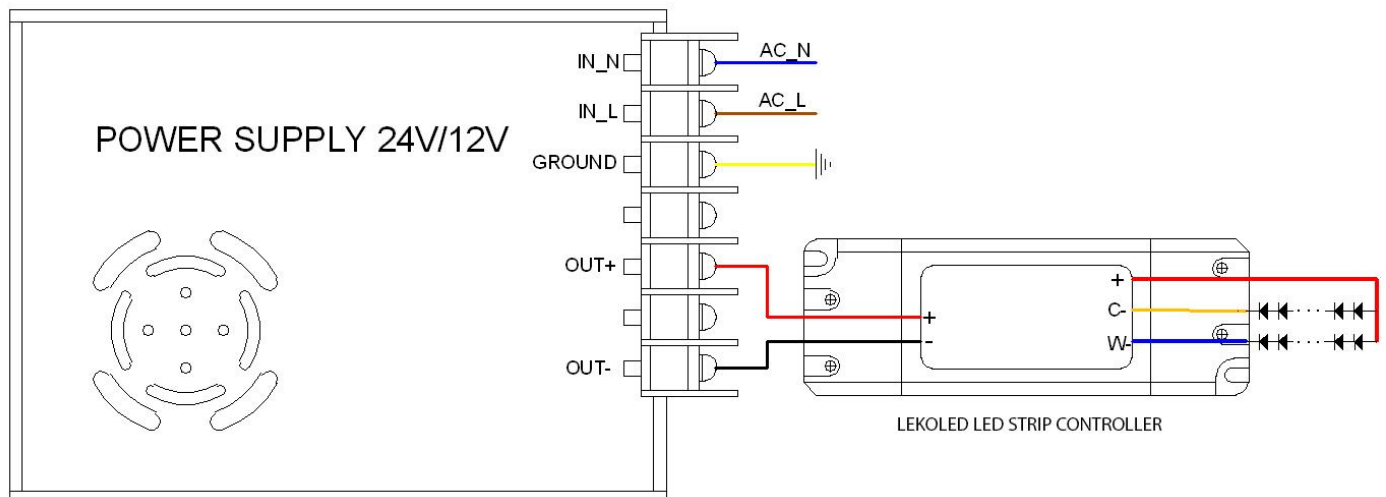
8. Installation and Wiring

8.1 Installation

- Heat dissipation must be considered before installation.
- Metal shielding is not allowed without putting the antenna out.
- Keep the controller as far as possible away from electromagnetic interference in the surrounding environment to ensure RF controlling behavior.
- Ensure the current of the strip does not exceed 10A.

8.2 Wiring Diagram

- Use isolated power supply.
- W-is for the cathode of warm white LED,C-is for the cathode of cool white LED,+ is the common anode for both.
- Make all connection as short as possible to ensure good EMC behavior.
- Ensure that the wires used are sufficient to carry the current for the LED strip.



9. LEKOLED System Functions

LEKOLED system is the dimmable and CCT tunable system that is based on RF-2.4G wireless technology. This system contains different kind of drivers and controllers for different application.

9.1 LEKOLED Multifunction Remote Controller

- One controller can control 100 Groups.
- 4 Step dimming and CCT adjusting
- Step-less dimming and CCT Adjusting
- All Control: All the lights that have matched with this remote can be controlled together.
- Certification: RED(approved by TUV)
- More Functions: Scene Mode(A and B),Timing ON/OFF ,ID Setting (ID copy and reset)



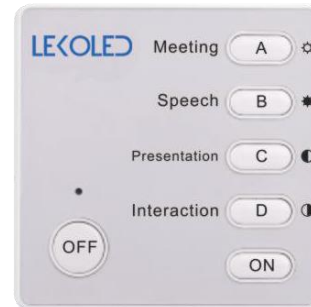
9.2 LEKOLED 86 Controller

- One controller can control 6 Groups.
- Suitable to install on the wall or put on the table.
- Step-less dimming and CCT Adjusting
- All Control: All the lights can be controlled



9.3 LEKOLED Scene Mode Controller

- One controller can control one Group.
- 4 Scene modes
- Step-less dimming and CCT Adjusting



For more details of above controllers, please refer to the data sheets.

Notes

- LEKOLED reserves the right to make changes or corrections to the products at any time without notice. Customers should verify the datasheets are current and complete before placing order.
- The improvement of our products is endless, we will be always trying our best to provide better products for our customers.
- All the contents above are only for reference, The actual parameters are based on the approval sheet of our company.